



Applies To: **2003 Element 2WD** – From VIN 5J6YH1...3L000001 thru 5J6YH1...3L006131
2003 Element 4WD – From VIN 5J6YH2...3L000001 thru 5J6YH2...3L011359

April 8, 2003

Rear Seat Trim Cover Won't Stay Latched

SYMPTOM

The rear seat trim cover won't stay latched to the sideliner trim panel.

PROBABLE CAUSE

The rear seat trim cover latch doesn't engage the sideliner trim panel properly.

CORRECTIVE ACTION

Shim the trim cover latch assembly with wool felt.

PARTS INFORMATION

Wool Felt (1T) (one roll will repair 138 vehicles):
 P/N 06993-SA5-000, H/C 2086676

WARRANTY CLAIM INFORMATION

In warranty: The normal warranty applies.

Operation Number: 853007 (one side)
 853007A (other side)

Flat Rate Time: 0.2 hour (per side)

Failed Part: P/N 83408-SS0-J00
 H/C 4255632

Defect Code: 031

Contention Code: A02

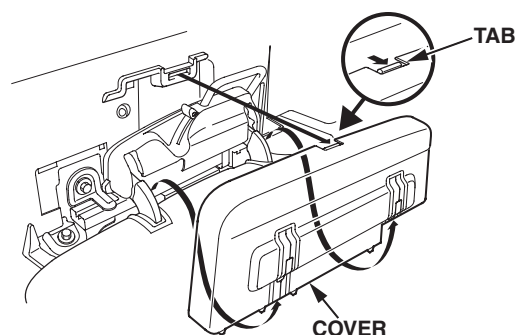
Template ID: 03-026A (one side)
 03-026B (both sides)

Skill Level: Repair Technician

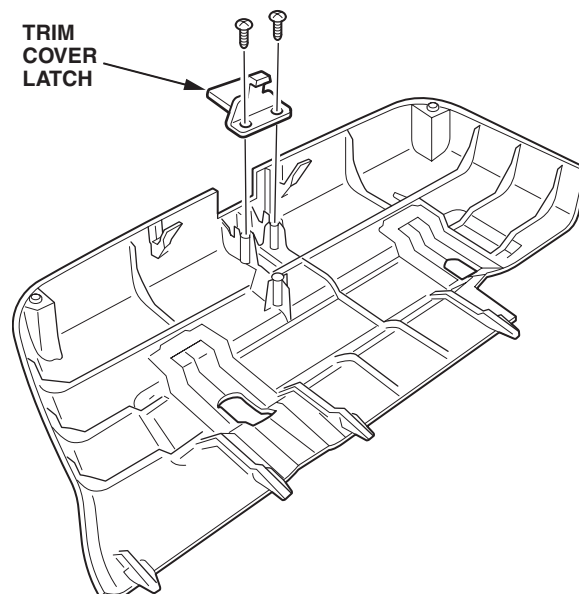
Out of warranty: Any repair performed after warranty expiration may be eligible for goodwill consideration by the District Parts and Service Manager or your Zone Office. You must request consideration, and get a decision, before starting work.

REPAIR PROCEDURE

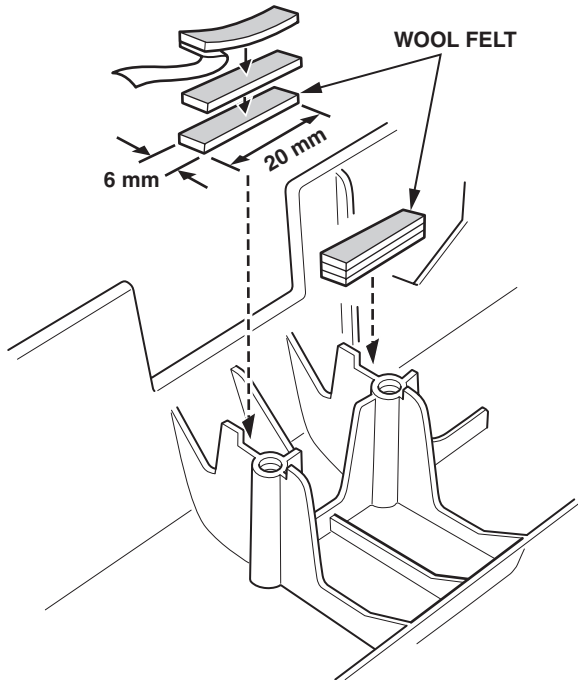
1. Release the trim cover latch, and remove the seat trim cover.



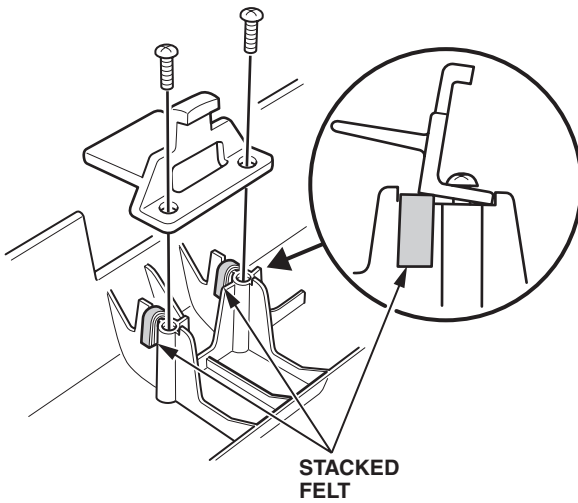
2. Remove the two screws that attach the trim cover latch to the rear seat trim cover.



- Cut the wool felt into six 20 mm x 6 mm rectangles. Remove the adhesive backing, and stack the felt three pieces high.



- Attach the stacked wool felt to the trim cover latch support rib.
- Install the trim cover latch; be careful not to overtighten the screws.



- Install the seat trim cover, and check the trim cover latch for proper engagement.